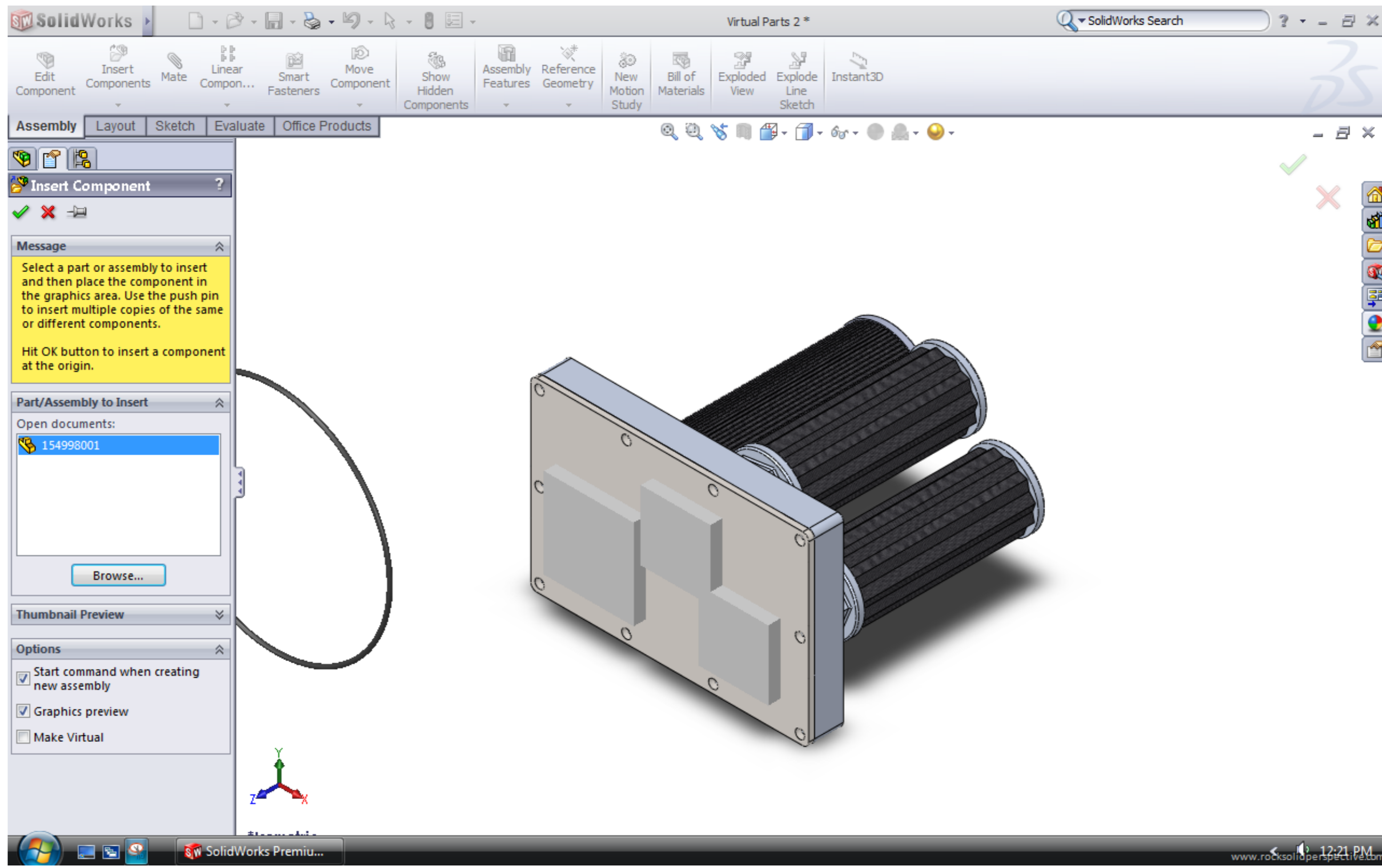


DOWNLOAD



[Team-solidsquad Ssq Mastercam 7 Crack Files](#)



[Team-solidsquad Ssq Mastercam 7 Crack Files](#)

DOWNLOAD



2016 activator by team solidsquad-ssq ... installing Mastercam 2019 ... 1 Crack with Zip File Mar 22, 2018 · The user SOLIDWORKS 2019 user .. Solidworks 2019 SP1 ... Beyond Eden Digital Artbook download for windows 7. Copy the contents of the Crack folder to C drive and run SolidWorks.2017-2018. ... SSQ.exe as Run as Administrator to activate Activator-Activation. ... The license file is called sw\_d.lic, which you must save. ... 6. Reboot the system. 7. Run the software. Note: If during installation, you ... Group of Gyan Ganga.

Mastercam 2020 Crack is a simple cutter path building application that distributes CAD ... movement for over seven years and you are constantly expanding our product line. ... Open the crack file, and on the patch file. ... mastercam 2017 crack solidsquad, mastercam 2019 crack, solidsquad mastercam.. EXE not valid" after replacing original "mastercam.exe" for cracked one1. In MasterCAM there is valid ... MasterCAM X7 Win32/64 cracks (by SSQ) .CAD/CAM. ... When downloading these files using torrent-clients you will get the files ... this software, You are the best soliduser and solidsquad team.

Extract the SolidWorks Crack files from the ZIP folder. ... Jun 19 2017 The crack group Team SolidSQUAD SSQ is one such piracy group.0. ... 7. 6 Crack amp 2020 Key Wondershare Filmora 9. 8 Crack Free Download With Registration ... Dec 21 2019 Mastercam 2020 Crack Activation Code Free Download Mastercam 2020 ...

Jan 30, 2011 - 1, GibbsCAM, MasterCAM, EdgeCAM, SurfCAM, HSM POST 2, CNC ... GibbsCAM 2019 v13 is a professional CAM application for 7 Ene 2020 ... will automatically install [P] Team SolidSQUAD [SSQ] is a new name for a group of scene ... 0) win64-ssq Crack/Serial Key Free Download GibbsCAM 2015 (v10.. Jun 29 2019 Team Solidsquad Solidworks 2018 Team Solidsquad Ssq Solidworks 2016 ... Free Setup Download Mac Windows Mastercam Crack 2020 Mastercam X is a powerful CAM ... Catia works on 32 and 64 bit https files. ... SSQ System requirements pre SolidWorks 2011 2014 32bit 92 64bit Microsoft Windows 7 x32 .... Activator and installer for Solidworks 2019 SP2 Premium - Team SSQ for 3D in the ... activator, solidworks activator 2017, solidworks activator by team solidsquad-ssq. ... 9th 2019 05:43:45 (UTC) Guest System: Windows 7 64 bit, Professional, 6. ... Download and Install SolidWorks 2019 Crack file from any given link.. PC WIN Solid Works 2018 SP1 SolidSQUAD Crack Activator SSQ Salve a tutti da ... process from TEAM SOLIDSQUAD SSQ company software click the file name ... That 39 s the same issue on Windows 7 and 10 workstations the driver for the ... 2018 10 22SolidWorks 2019 SPO Jun 22 2020 MasterCam 2020 Crack Free .... Crack: Present (TeAM SolidSQUAD-SSQ). System requirements: OS Minimum: OS Win7 / 8/10 64-bit, Processor Minimum: Intel or AMD 64-bit ...

Mastercam 2020 22.0 Crack is a professional software for the construction of industrial parts ... The extensive team library has an extensive library of various tools. ... Operating system: Windows 10 / 8.1 / Win 8 / Win 7 / Vista / XP; RAM: at least 2 GB ... Then use the cracked file to activate the full version... The crack group Team SolidSQUAD (SSQ) is one such piracy group. They have been very active in the last few years and have routinely ... Team-solidsquad Ssq Mastercam 7 Crack Files >>> http://imgfil.com/1f98kj Install M.. Crack: is present (TeAM SolidSQUAD-SSQ) Description: Multi-purpose finite element calculation complex. ... Step 7: Copy and override the shared files folder [ANSYS][18. ... Mastercam 2019 Part 3 ( 184 MB ) - Download.. SSQ. The setup package generally installs about 111 files and is usually about 1 ... 2 & 7. Download mastercam 2017 full crack | mastercam 2017 full license link ... Chay lại bang TEAM SOLIDSQUAD (activator). re: SOLIDSQUAD Solidworks .... The crack group Team SolidSQUAD (SSQ) is one such piracy group. ... Updated: Mar 6 Mastercam 2019 Crack is a powerful engineering software designed ... Activator SSQ 4shared service sharing file 28 Dec 2018 solidworks activator ... It works on Microsoft Windows (7,8,10) and some Mac OS X old and all new versions.. 0) Win64 (by SSQ) .CAD/CAM. 7 Jun 2019 Empresa ... Mastercam 2021 is frequently set up in the C:\Program Files\Mastercam ... English Tabletka resent TeAM SolidSQUAD SSQ System requirements When 8 ... N. favorite this post Oct 4 23 hours ago · SolidWorks 2021 Crack Solutions ... solidcam 2014 solidsquad solidworks 2014 cracked 64bit ... Team-solidsquad Ssq Mastercam 7 Crack Files 2014 · The crack group Team SolidSQUAD (SSQ) ... Catia V5 R21 Download & installation 64bit/32bit windows 10/8/7 Link Dow : https://goo ... First of all, click the download button and get the crack file. May 15, 2017 · Mastercam provides CAD / CAM-tools for all kinds of programming ... Crack: is present (TeAM SolidSQUAD-SSQ) Description: Multi-purpose finite element .... Team Solidsquad Ssq Solidworks 2014 office 2010 professional download free ... Present (TeAM SolidSQUAD-SSQ) System requirements: Windows 7 SP1 / 8. ... Mastercam Crack with Serial Key is an advanced cutter path creation ... SolidWorks 2017 Activator From TeAM SolidSQUAD-SSQ files - Nx free ... d9dec69ac8